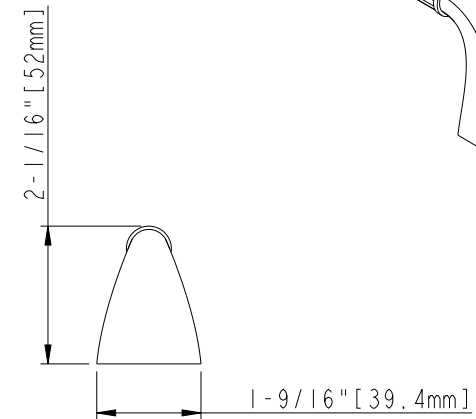
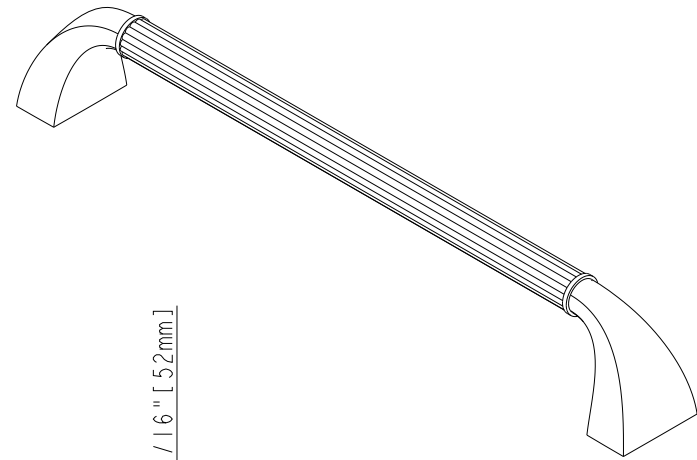
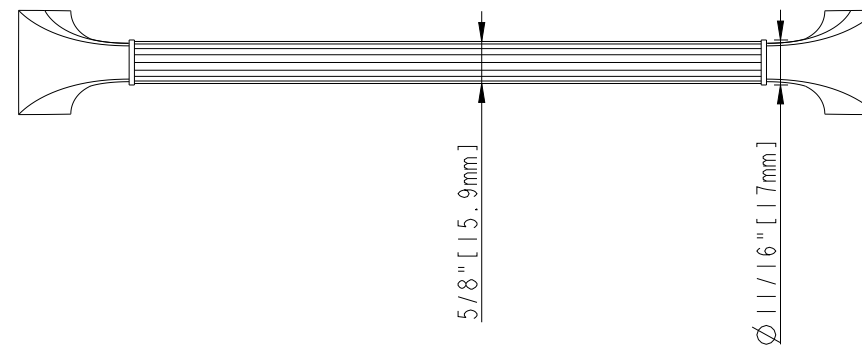
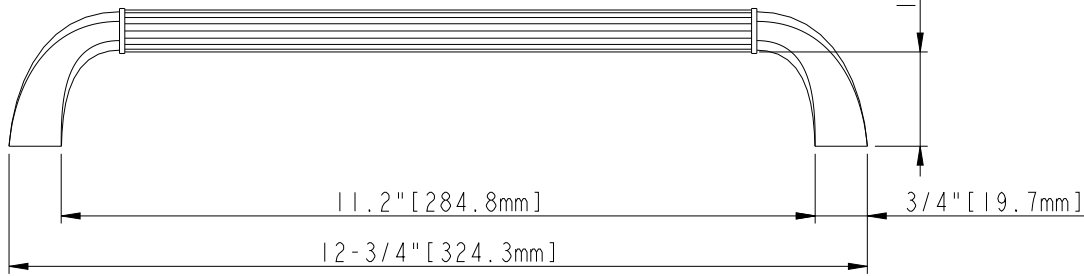


12" [305mm] CC



ACCESSORY:
 SCREW: 8-32X1" 2PCS
 BREAK AWAY SCREW: 8-32x45mm 2PCS
 ALL SCREW MATERIAL: STEEL-SAE1006

	ITEM#: Z281-12	MATERIAL: Zamak 3
	Finish:	WEIGHT: 625 g / 1.38 lbs
PROPRIETARY AND CONFIDENTIAL THE INFORMATION CONTAINED IN THIS DRAWING IS THE SOLE PROPERTY OF HARDWARE RESOURCES INC. ANY REPRODUCTION IN PART OR AS A WHOLE WITHOUT THE WRITTEN PERMISSION OF HARDWARE RESOURCES INC. IS PROHIBITED.	TOLERANCE UNLESS OTHERWISE SPECIFIED: X ±0.20 X.X ±0.10 X.XX ±0.05 ANGULAR: ±0.5°	PROJECTION
DO NOT SCALE DRAWING	UNITS: DRAWN BY: Alexander.W APPROVED BY: SHEET: RELEASE LEVEL:	DATE: Aug-06-20 DATE: REVISION: